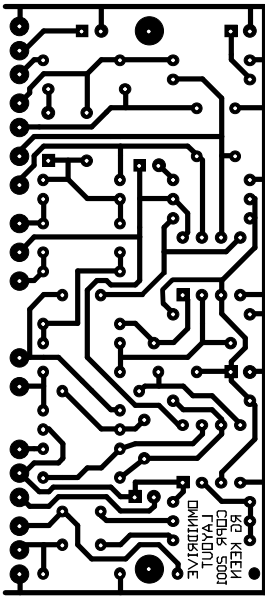
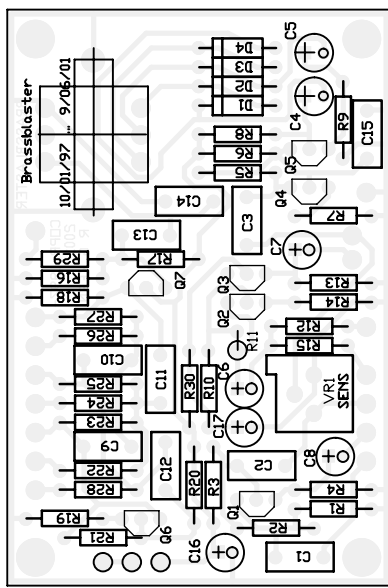


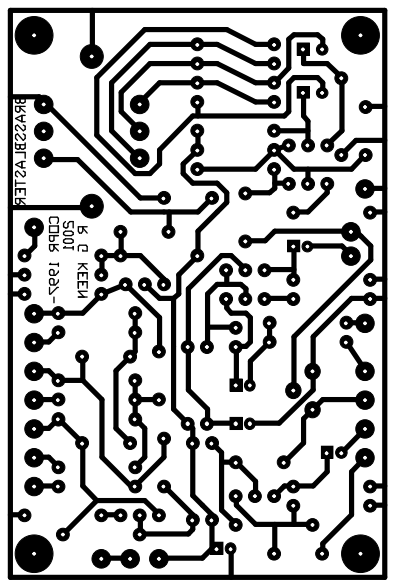
Omnidrive



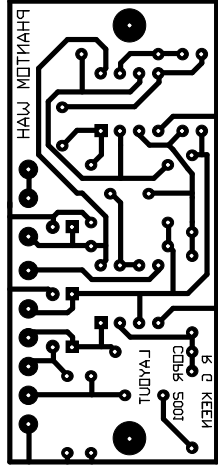
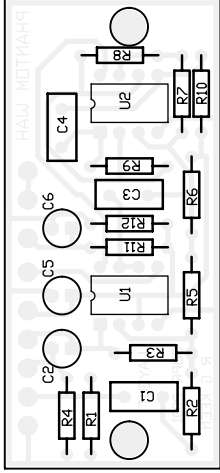
Phantom Wah



Brass Blaster



EZVibe



Effects layouts 9/8/2001
 Copyright 1997-20001
 R.G. Keen
 Permission refused for
 local copies or redisplay
 from web sites other than
<http://www.geofex.com>.

Omnidrive, Phantom Wah,
 and EZVibe circuits were
 designed by John Hollis.

