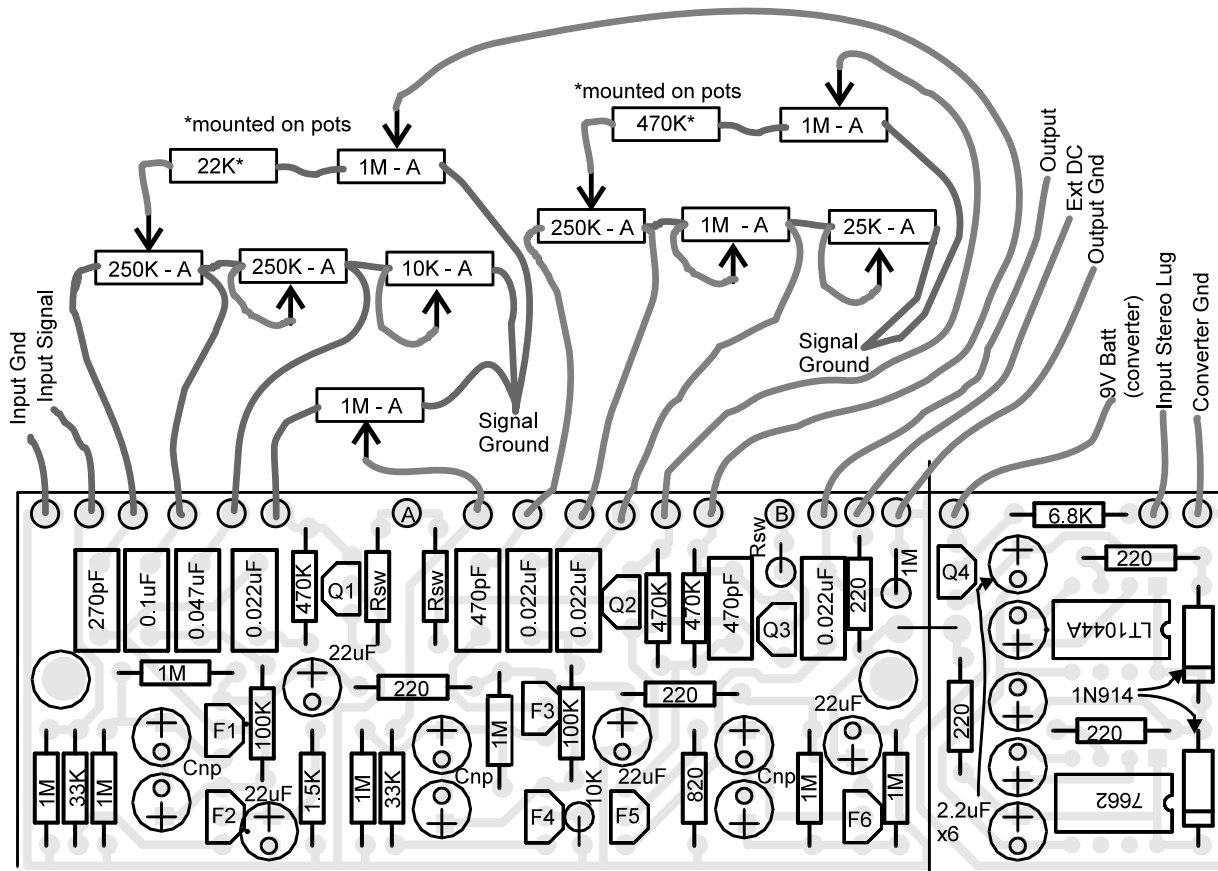


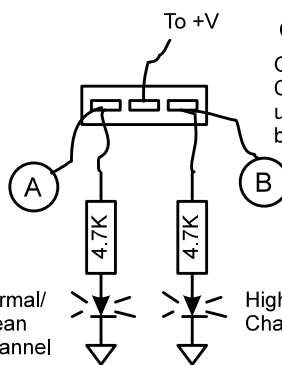
Mini-Tubes 2 Preamplifier - Layout and wiring Diagram



JFET Pinout
F1-F6



Bipolar Pinout
Q1-Q4



Normal/
Clean
Channel

High Gain
Channel

Cut Line

One means of
Channel Switching
using the automated
built in switching.

Modifications, updates, power converter, layout, wiring diagram and other items copyright 2000 R.G. Keen. All rights reserved. Permission granted for use by individuals for personal use. All other uses, including reposting, printing and other works are subject to licensing restrictions. See <http://www.geofex.com>.

Original design by Jack Orman
may be seen at
<http://www.muzique.com/amz>