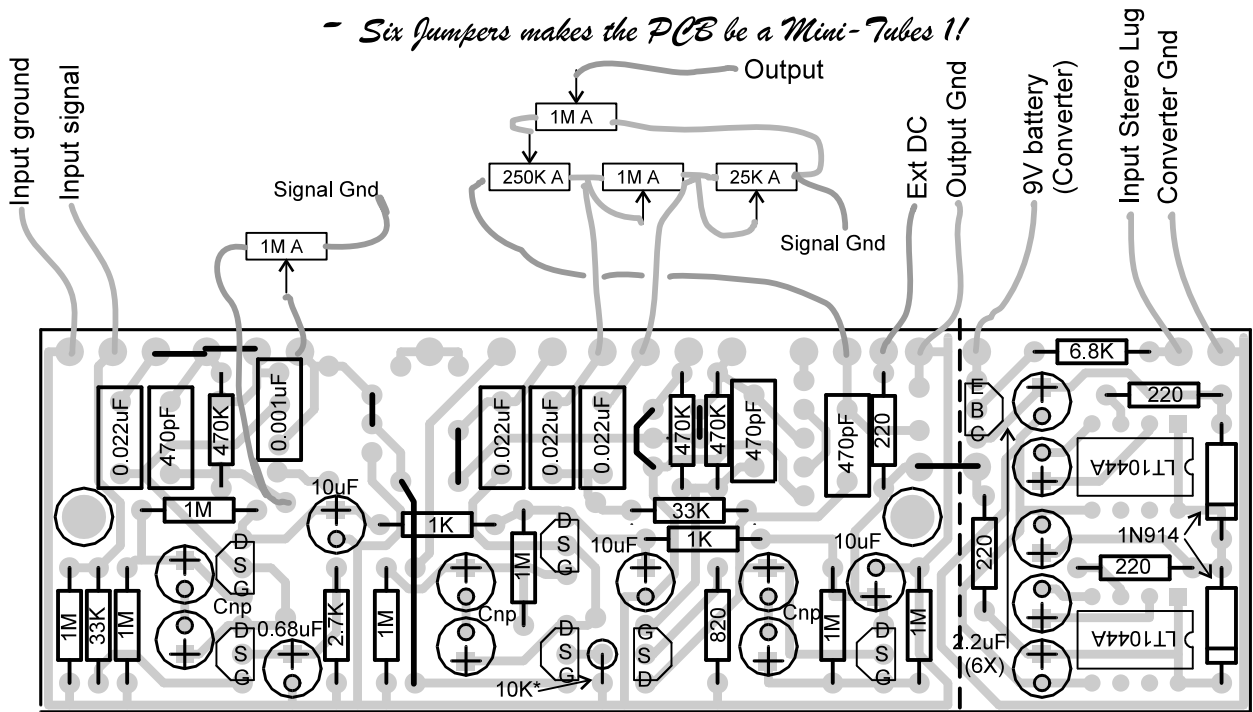


Mini-Tubes Preamplifier - PCB Layout

- Six Jumpers makes the PCB be a Mini-Tubes 1!



Modifications, updates, power converter, and PCB layout copyright 2000 R.G. Keen.

Heavy Black Lines are jumper wires! Watch the parts values - they're a little different.

Original Design by Jack Orman may be seen at <http://www.muzique.com/amz>