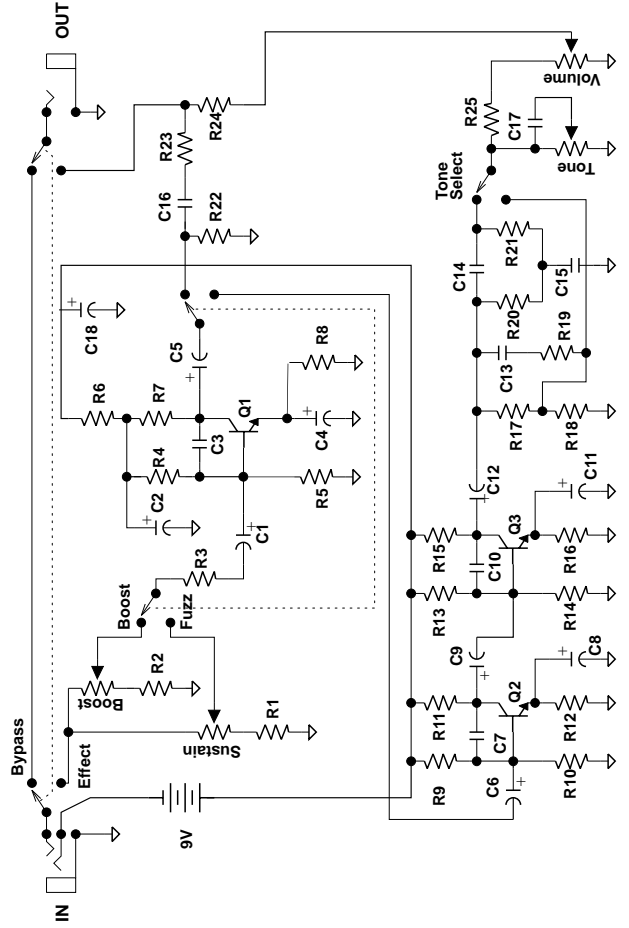
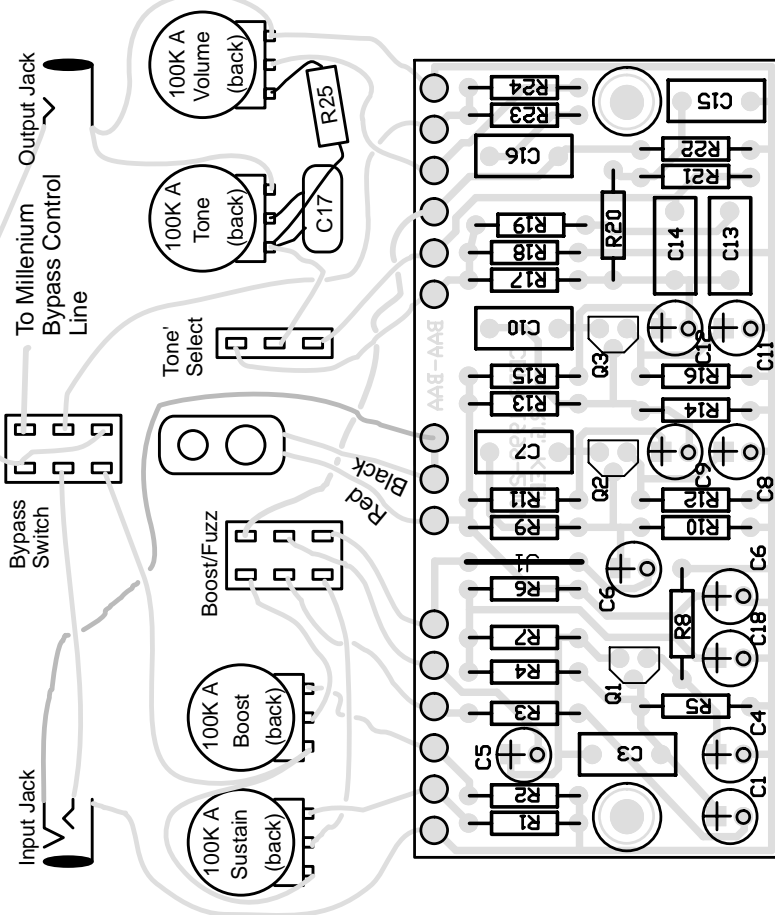


Baa-Baa Distortion



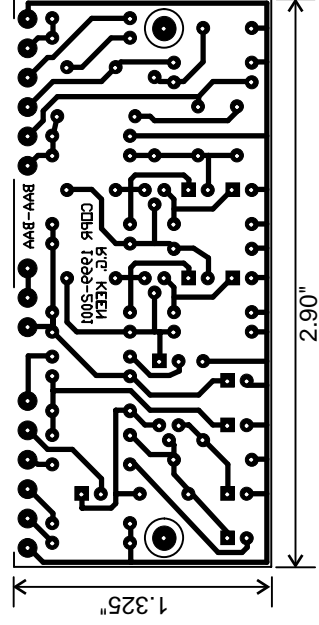
Baa-Baa Distortion

- R1 1K
 - R2 10K
 - R3 1K
 - R4 100K
 - R5 18K
 - R6 1K
 - R7 10K
 - R8 1.8K (1K8)
 - R9 100K
 - R10 15K
 - R11 10K
 - R12 1.5K (1K5)
 - R13 100K
 - R14 15K
 - R15 10K
 - R16 1.5K (1K5)
 - R17 33K
 - R18 10K
 - R19 47K
 - R20 47K
 - R21 22K
 - R22 220K
 - R23 10K
 - R24 47K
 - R25 68K
- C1 1uF
 - C2 47uF
 - C3 100pF
 - C4 10uF
 - C5 1uF
 - C6 1uF
 - C7 4700pF (4N7)
 - C8 1uF
 - C9 1uF
 - C10 4700pF (4N7)
 - C11 10uF
 - C12 1uF
 - C13 2200pF (2N2)
 - C14 2200pF (2N2)
 - C15 0.1uF
 - C16 6800pF (6N8)
 - C17 2200pF (2N2)
 - C18 47uF
- All caps 1uF and over are aluminum electrolytic, 16V, radial package.
- Boost 100K Audio Pot
 - Sustain 100K Audio Pot
 - Tone 100K Audio Pot
 - Volume 100K Audio Pot

Diagnostic Voltages -

Q1 C = 4.9 to 5.5 B = 1.2 to 1.3 E = 0.55 to 0.65
 Q2 and Q3 C = 5.1 to 5.6 B = 1.1 to 1.2 E = 0.5 to 0.6

Toner Transfer Pattern - actual size



Copyright 1999 - 2001 R.G. Keen. All rights reserved. Permission granted for limited numbers of copies for personal use. All commercial uses, re-publication or display is subject to licensing. Material is registered, and infringement will be prosecuted. See Digital Millennium Copyright Act for details.