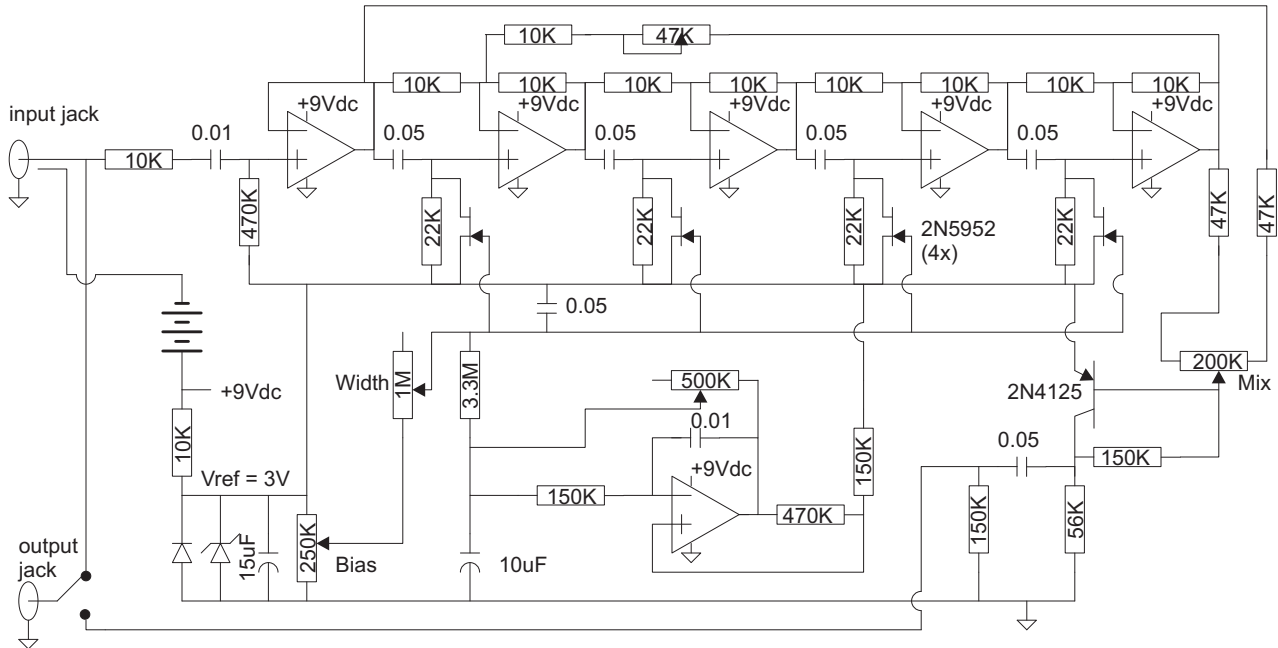
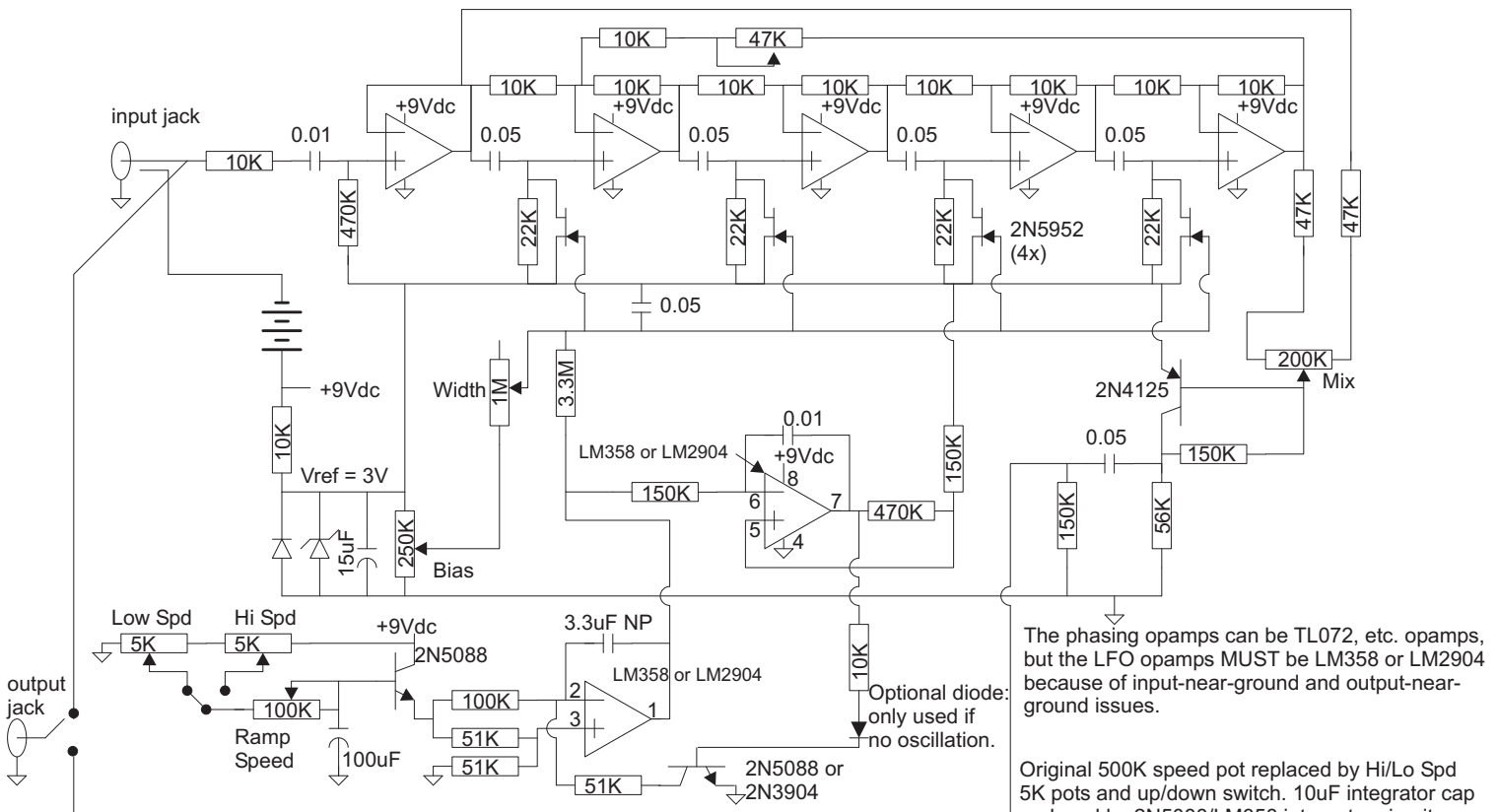


Phase 90 -- Original Schematic



Copyright 1998, 1999 - 2006 R.G. Keen All rights reserved. Fair use only with this notice included. See <http://www.geofex.com>. No posting from other web sites.

Phase 90 with ramp up/down LFO



The phasing opamps can be TL072, etc. opamps, but the LFO opamps MUST be LM358 or LM2904 because of input-near-ground and output-near-ground issues.

Original 500K speed pot replaced by Hi/Lo Spd 5K pots and up/down switch. 10uF integrator cap replaced by 2N5088/LM358 integrator circuit.

Copyright 1998, 1999 - 2008 R.G. Keen All rights reserved. Fair use only with this notice included. See <http://www.geofex.com>. No posting from other web sites.