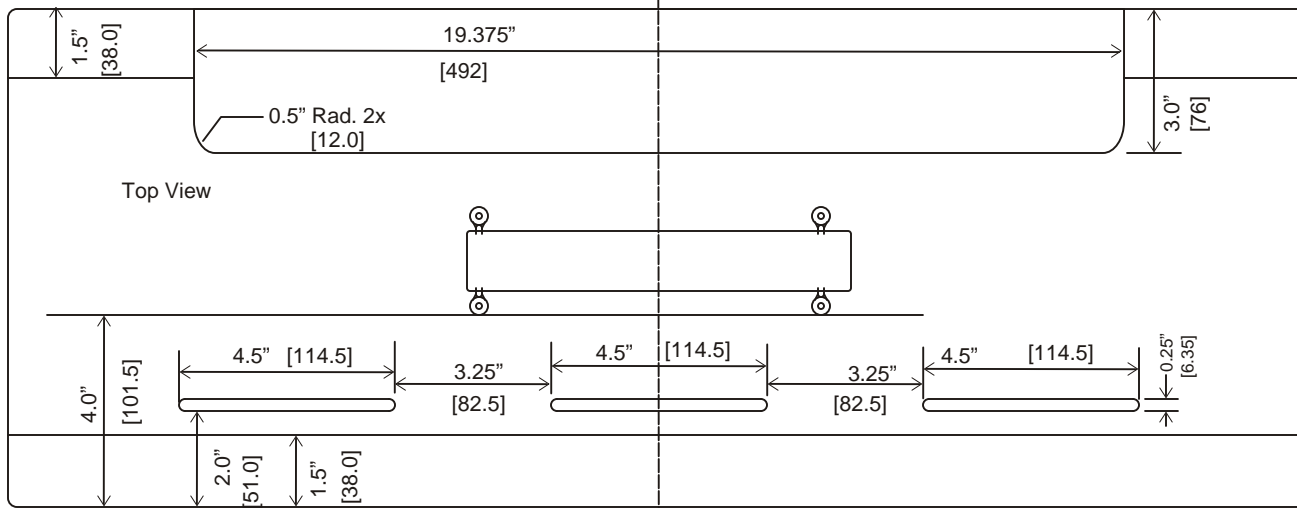
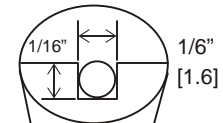


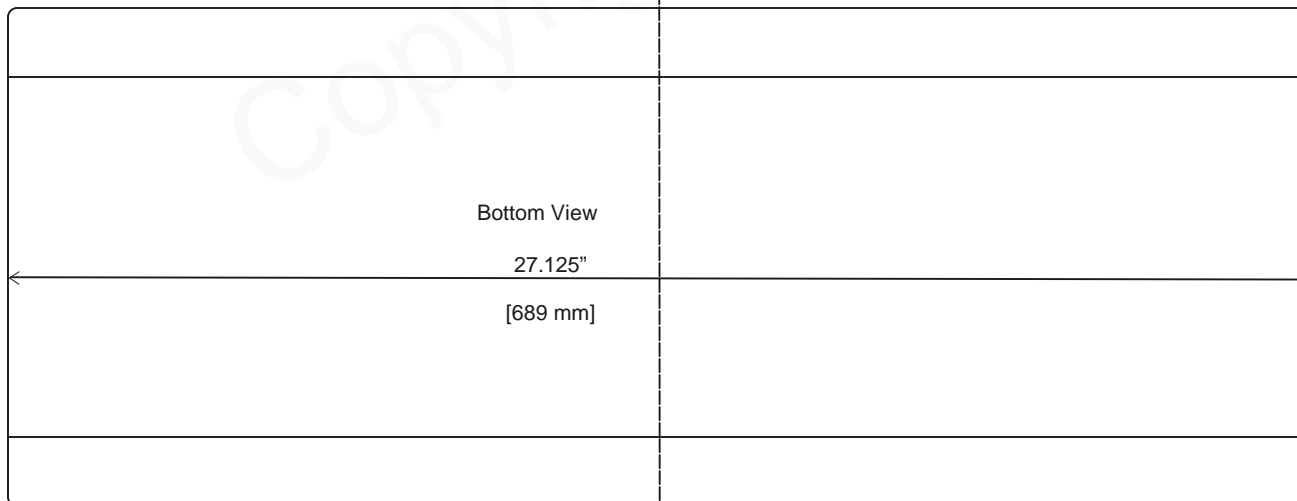
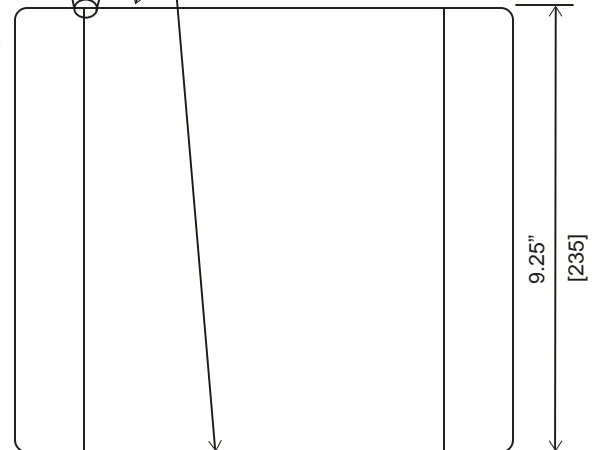
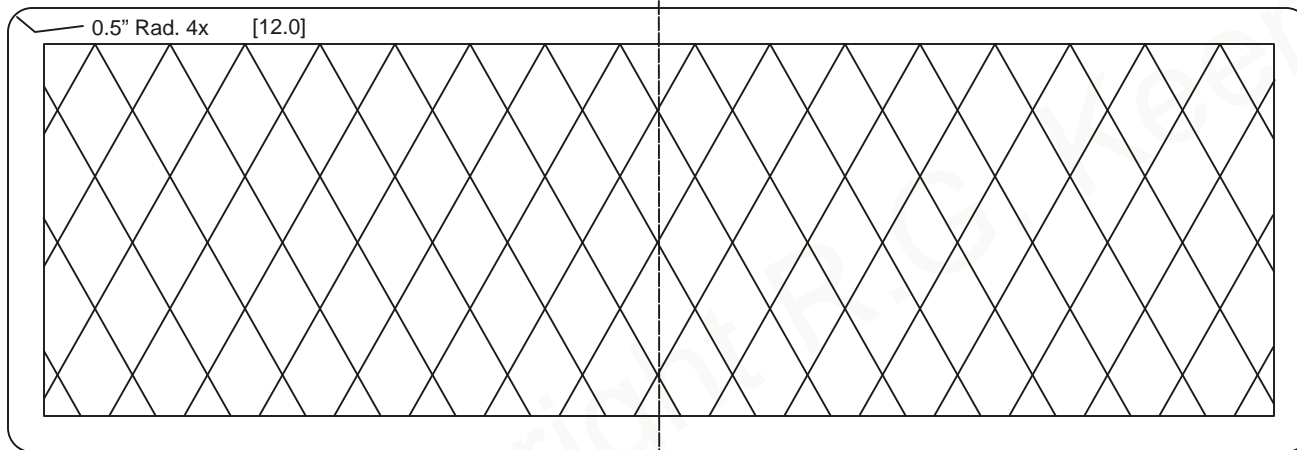
Primary Drawings



Beading Groove



Top, bottom, front and back edge radius = 0.25" [6.0]

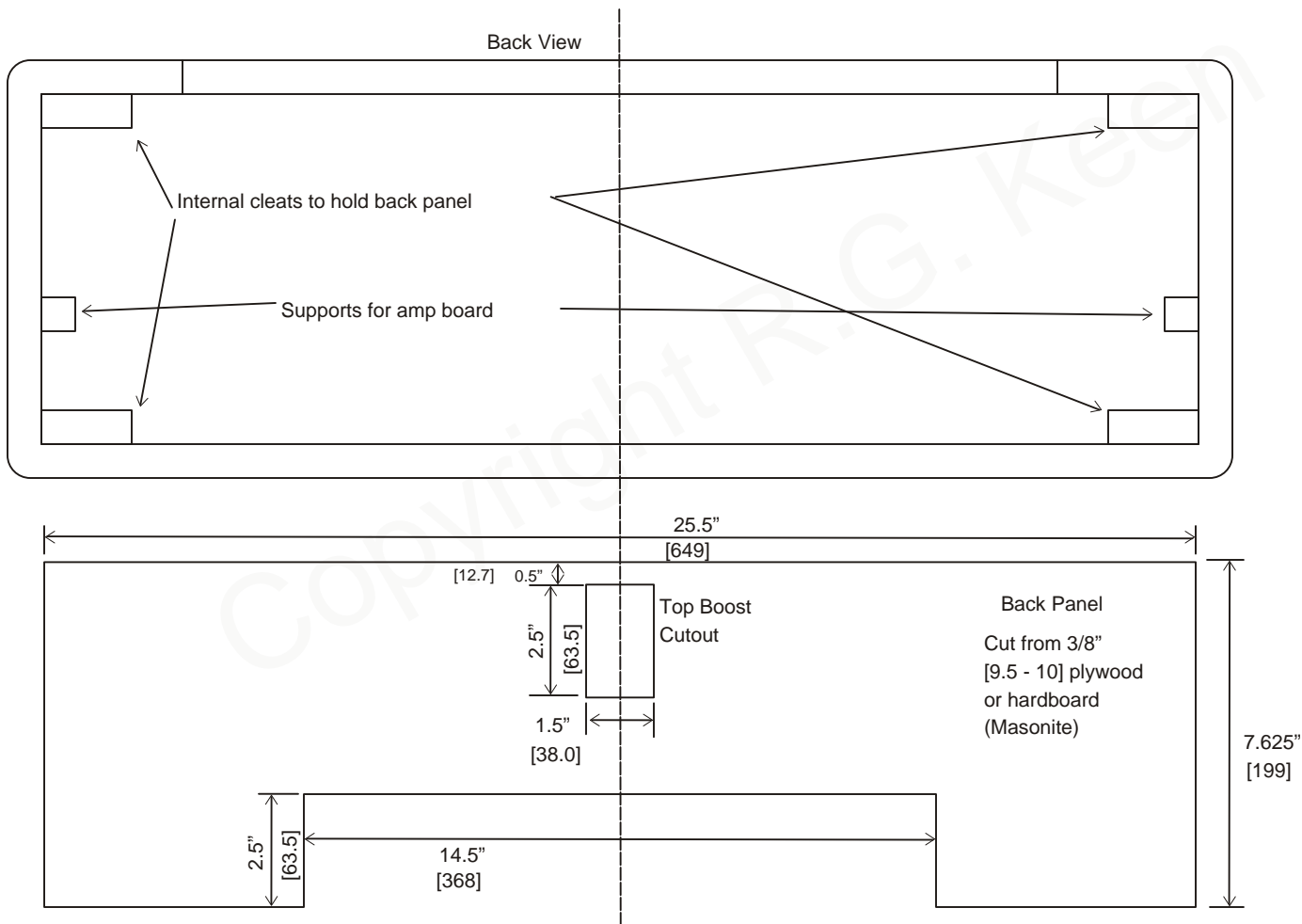


Top, bottom and sides are 3/4" plywood or 18mm (so-called 23/32") plywood. If you build from 3/4" actual thickness ply, use the Imperial (inches) measurements. If you build from 18mm plywood, use the mm measurements in square brackets.

AC-30 Head Cabinet

Drawn from measurements provided by "Grog"
 Copyright 2008 R.G. Keen
 Page 1 of

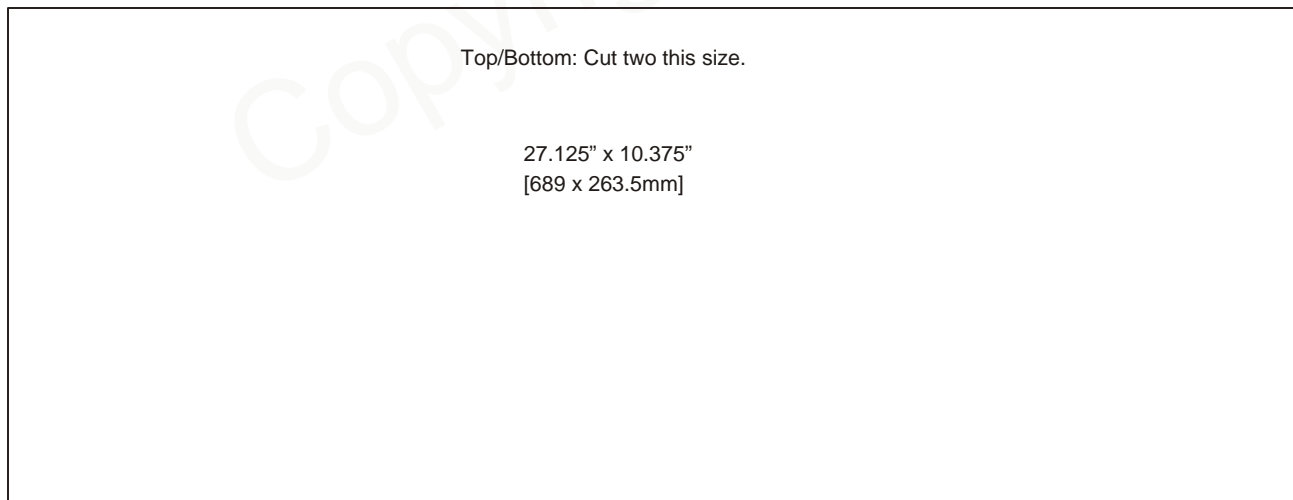
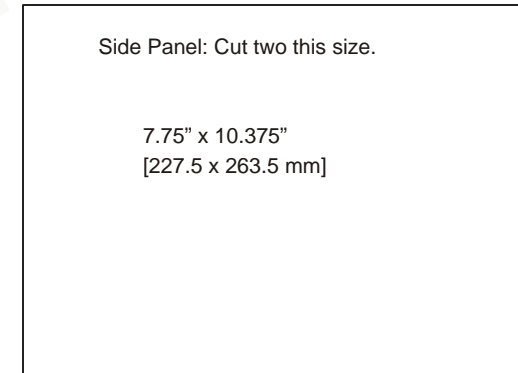
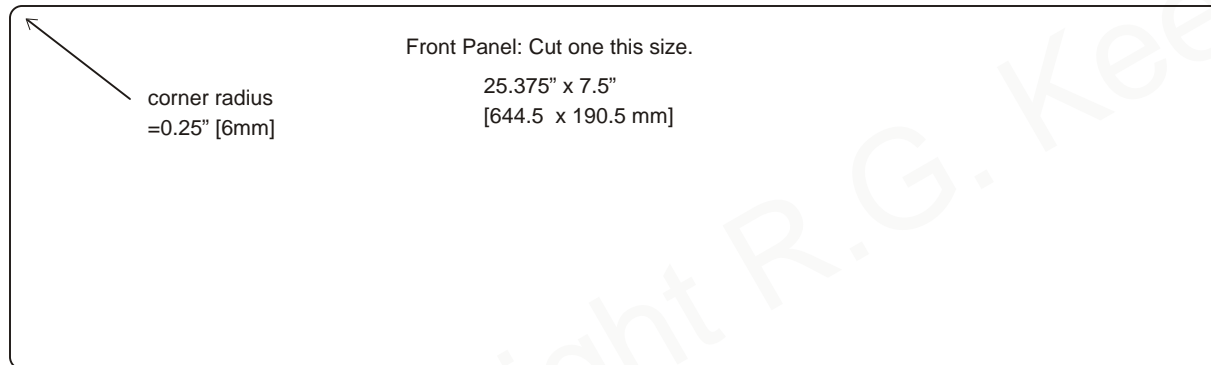
Back Panel



AC-30 Head Cabinet

Drawn from measurements provided by "Grog"
Copyright 2008 R.G. Keen
Page 2 of

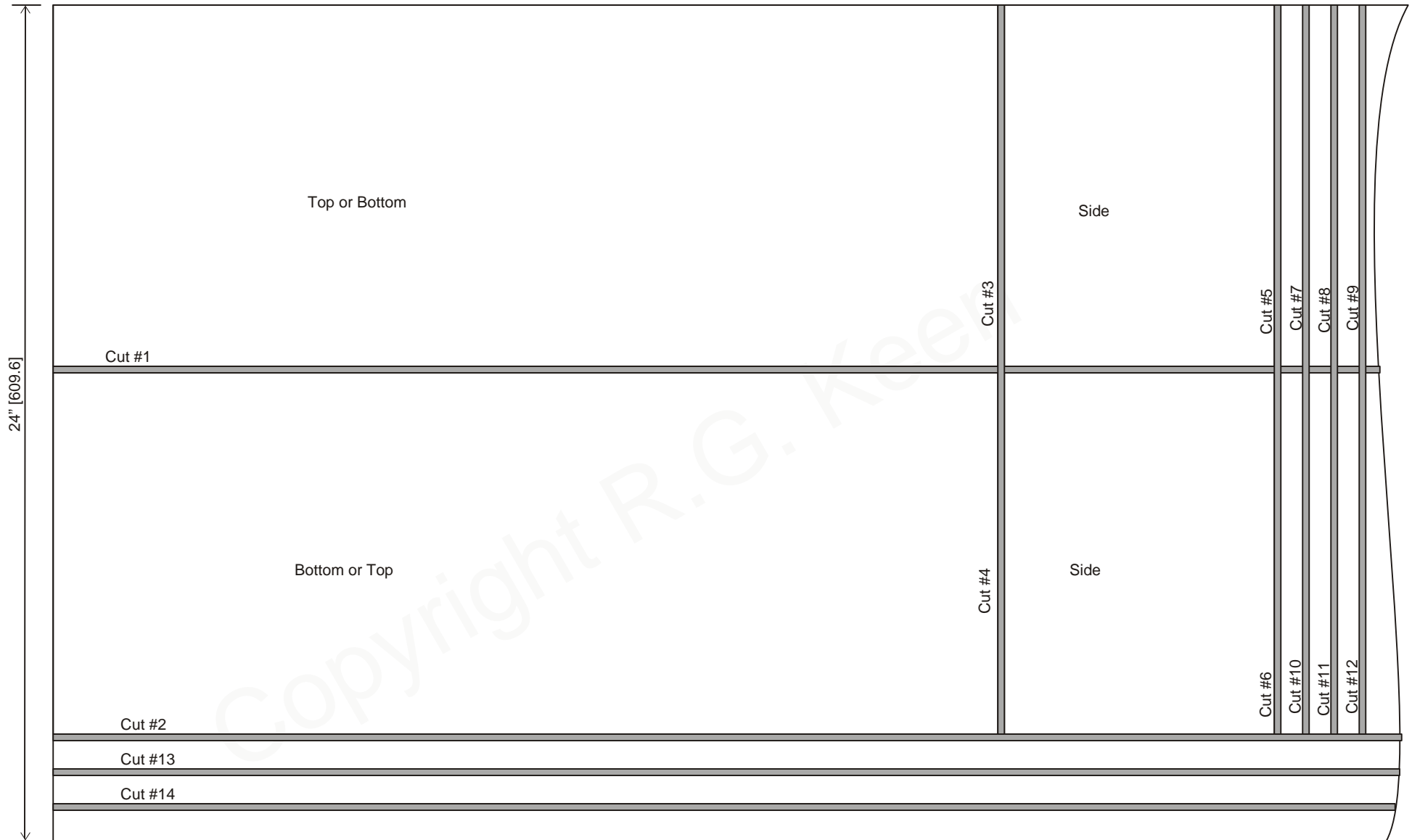
Outside panels Cut sizes



Back Panel: cut to dimensions on page 2.

AC-30 Head Cabinet
Drawn from measurements
provided by "Grog"
Copyright 2008 R.G. Keen
Page 3 of

Cutting Diagram for top/bot/sides/cleats in 3/4" ply



Cutting Diagram, optimized for table saw
 - Plywood is commonly sold in 1/4 sheets, 2 ft x 4ft.
 - buy a 2'x4' quarter sheet of 3/4"(or 23/32" or 18mm)
 1. set the table saw to rip the front-to-back cabinet size of 10.375".
 2. rip two pieces along the length of the stock (cuts 1 and 2). This makes two pieces of the same exact size.
 Copyright 2008 R.G. Keen. All rights reserved. No permission for serving from web sites other than <http://www.geofex.com>.

3. set the table saw to rip two pieces of 27.125"; cut one from each of the two pieces (cuts 3 & 4) you cut from stock. These are top and bottom.
 4. set the saw to rip 7.75"; rip one side from each of the remainder of the pieces (cuts 5&6: these are the sides).
 5. set the saw to rip 3/4"; cut eight cleats of 7.75" length and as many of the full length of the remaining stock as you can.

as you can.

AC-30 Head Cabinet

Drawn from measurements provided by "Grog"
 Copyright 2008 R.G. Keen
 Page 4 of

Cutting diagram for front/back in 3.8" [10mm] ply

Copyright R.G. Keen

Cutting Diagram, optimized for table saw for front/back panels.

- Plywood is commonly sold in ¼ sheets, 2 ft x 4ft.
- buy a 2'x4' quarter-sheet of 3/8" nominal or 10mm.

AC-30 Head Cabinet

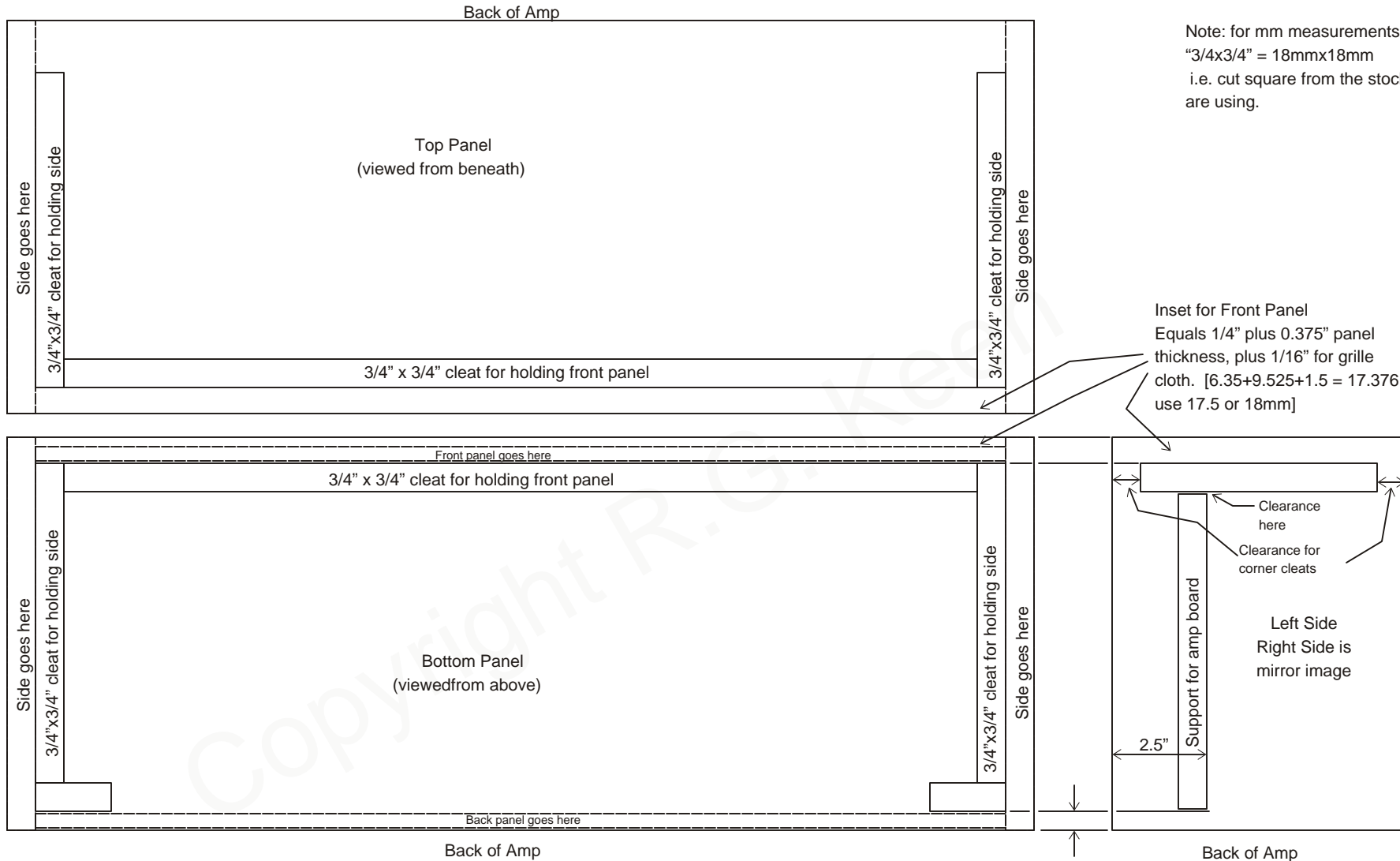
Drawn from measurements
provided by "Grog"
Copyright 2008 R.G. Keen
Page 5 of

Cleat Locations on top/bottom/sides

Top/Bottom: Cut two this size.

27.125" x 10.375"
[689 x 263.5mm]

Note: for mm measurements,
"3/4x3/4" = 18mmx18mm
i.e. cut square from the stock you
are using.

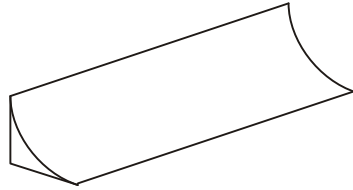
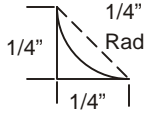


Inset for Front Panel
Equals 1/4" plus 0.375" panel
thickness, plus 1/16" for grille
cloth. [6.35+9.525+1.5 = 17.376,
use 17.5 or 18mm]

Inset for getting back panel flush.
Equals thickness of panel plus
1/16" / 0.063" or [3mm] total.
This allows for tolex and folding.

AC-30 Head Cabinet
Drawn from measurements
provided by "Grog"
Copyright 2008 R.G. Keen
Page 6 of

Routing and Rounding



Copyright R.G. Keen

AC-30 Head Cabinet

Drawn from measurements

provided by "Grog"

Copyright 2008 R.G. Keen

Page 7 of

Copyright R.G. Keen

AC-30 Head Cabinet

Drawn from measurements

provided by "Grog"

Copyright 2008 R.G. Keen

Page 8 of

Hardware locations and finishing

Hardware

2-pin corners

3 each brass vent covers

Copyright R.G. Keen

AC-30 Head Cabinet

Drawn from measurements

provided by "Grog"

Copyright 2008 R.G. Keen

Page 9 of

Notes

1. Plywood is no longer a reliable size. An experienced wood worker knows this but us amateurs may not. Plywood in the USA was once available in 3/4" thickness that was 0.7500" thick. This is no longer true. Most "3/4" plywood is sold as "3/4 or 23/32" thick. I suspect that "23/32" is really 18.0 mm. Whichever it is, you have been warned. MEASURE THE ACTUAL THICKNESS OF THE PLYWOOD YOU MAKE THIS FROM and adjust the length of the side pieces, front piece, and back panel so the outside dimensions come out correct.

Again, you have been warned.

2. I have given measurements in both Imperial (inches) and in mm. The Imperial measurements given are for 3/4" (0.750") actual thickness plywood. The back panel size is correct for both 0.75" plywood and a 1/8" (0.125", 3.15mm) allowance for gaps for tolex. I have given a second set of measurements in brackets "[]". These measurements are in millimeters and they assume that you have 18mm actual thickness plywood. Although some of the measurements given are simply conversions of the Imperial measurement to the nearest half-millimeter by multiplying by 25.4, some are not.

In the Imperial version with 3/4" plywood, the side and front panels are 7.75" tall, which converts to 196.85mm. The metric measurements for these panels are 199mm. This reflects the fact that if the top and bottom are 18mm instead of $0.75 \times 25.4 = 19.05$ mm thick, the sides and front have to be 2.1mm taller to preserve the same outside cabinet height.

I --- ~~had done the~~ calculations for Imperial dimensions on 18mm thick plywood. That would be yet another set of dimensions, and things would quickly get confused.

Measure your plywood thickness. If it's 18mm, build in mm and use only the bracketed mm measurements. If it's 0.750" or 19.05mm, build in Imperial inches and use only the inch measurements. If you decide to mix Inch plywood and metric measure, or 18mm plywood and inch measurements, you're on your own.

AC-30 Head Cabinet

Drawn from measurements
provided by "Grog"
Copyright 2008 R.G. Keen
Page10 of

Building a Clone of the AC-30 Head Cabinet

Copyright R.G. Keen