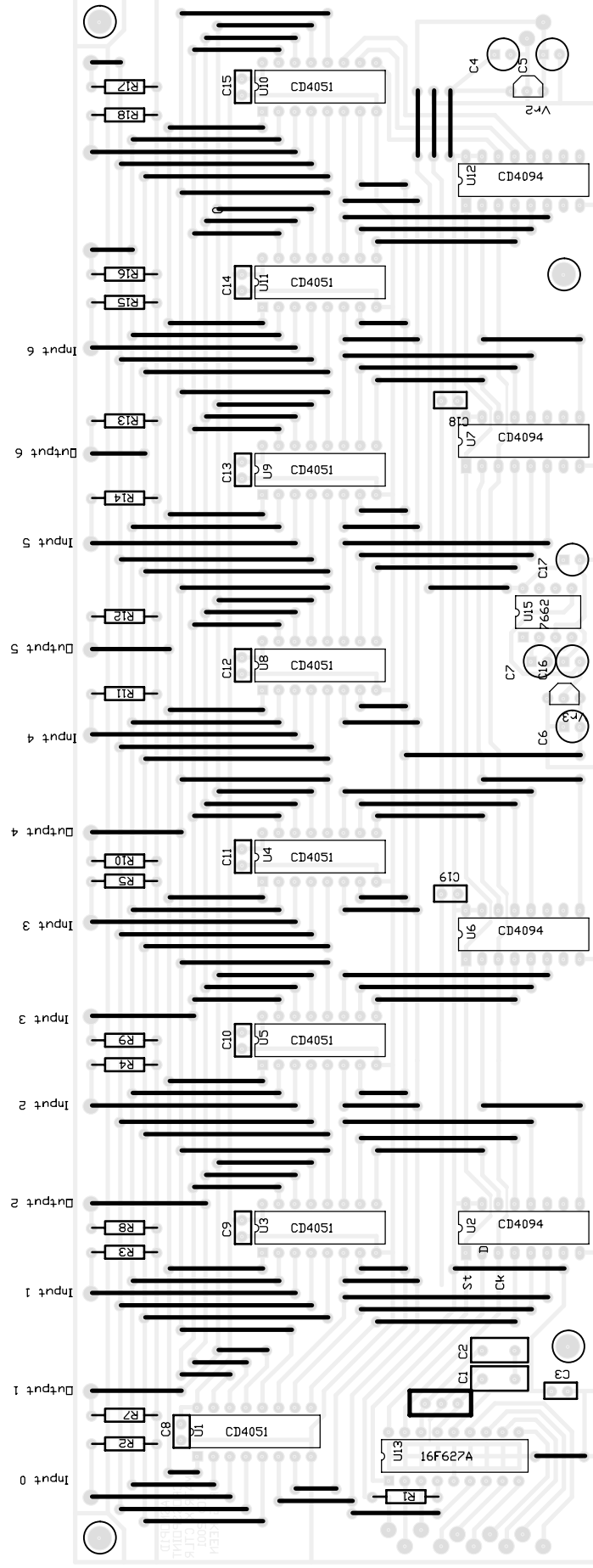


ASMDP* Id Matrix Controller

* A Simple Matter Of Programming 8-)



The Matrix Controller is an intelligent microcontroller based 8x8 crosspoint switch. It is organized as an input and an output, with seven out/in effects loops between the two. The controller sets up a path from the input to the output through the seven effects loops in any specified order. This may include none of the loops (bypass) or any combination of one to all seven of them in any order. The controller is given instructions from a two wire serial interface from the matrix programmer and remote footswitch.